



Type T (-SR)



Standard Swivel Joints

with Welding Connection

with Threaded Connection

for Loading Arms

for Food and Pharmaceuticals

Know how & consulting directly from manufacturer with decades of experience

That's why you choose... The logo for IGATEC International features the word 'IGATEC' in a large, bold, grey sans-serif font. Above the 'TEC' part, the word 'International' is written in a smaller, blue sans-serif font. A horizontal blue line runs through the middle of the 'IGATEC' text.

- **Radial gaskets**
Allow a maximum of feasible sealing materials and longer lifetime compared to axial gaskets
- **DUPLEX, SUPERDUPLEX, HASTELLOY, ALUMINIUM...**
We machine all compatible materials
- **ASME, NACE, NORSOK, DIN...**
We manufacture according to all required guidelines and directives
- **Customized connections**
- **IGATEC Swivel Joints**
Made of carbon steel (e.g. St52-3, ...) are nitrided to reach maximized hardness of surface and optimized corrosion protection at the same time
- **Certifications**
TA-Luft
VdS
ISO 9001:2008

Headquarter

**IGATEC GmbH &
IGATEC International GmbH**
Siemensstraße 18
D-67346 Speyer

Phone: +49 (0)6232 91 904-0
Fax: +49 (0)6232 91 904-990
eMail: info@igatec.de

Subsidiary

IGATEC International GmbH
Profilstraße 6
D-58093 Hagen

Phone: +49 (0)2331 36 788-0
Fax: +49 (0)2331 36 788-11
eMail: info@igatec-international.de

Swivel Joint Type T

Dimensions:

Nominal diameter	G1/4" up to G2" [alternatively in NPT]
Working pressure P _{max}	420 bar / 6.000 psi *
Working temp. T _{min/max}	-55°C up to 250°C / -67°F up to 482°F *
Material	42CrMo4, 1.4571 [other materials on request e.g. Aluminium, Hastelloy, etc.]
Gasket material	NBR, Viton, PTFE, HPU
Ball material	Stainless steel
Connection	Threaded (female, NPT, BSP, etc.)
Style	10, 11, 12
Application	Universal

* P_{max} and T_{max} may not occur at the same time

Technical Features:

Design	Standard
No. of ball races	2
Fluid	Diesel, Ethanol, LPG,...
Type of sealing	Radial
External dust seal	Yes
Secondary seal	No
Body	Two-parts
Connection for leakage control	On request
Without grease nipple	On request (e.g. floating suction systems)
Maximum speed	Depends on gasket material

Further Advantages:

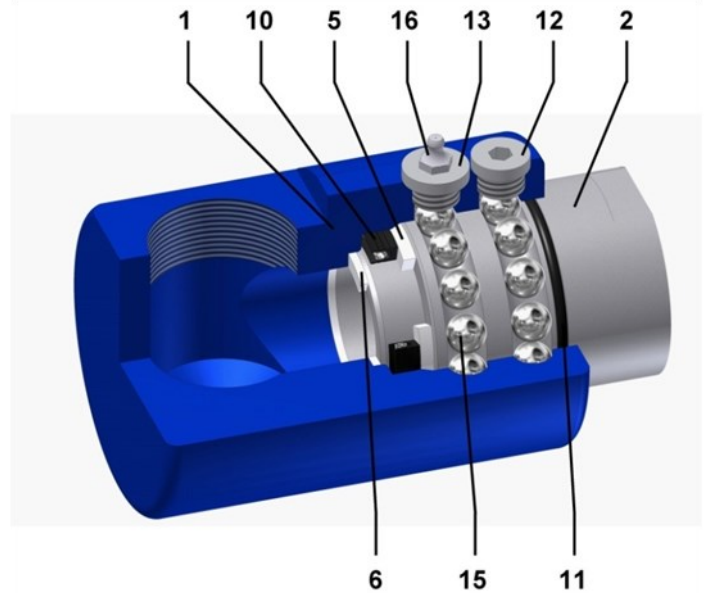
	Perfect concentric run-out, easy handling
--	---

Additional Function (on request):

Execution: smooth-running(-SR)	<ul style="list-style-type: none"> • Special gasket • Refined surfaces • Fluid dynamical pressure release
--------------------------------	--

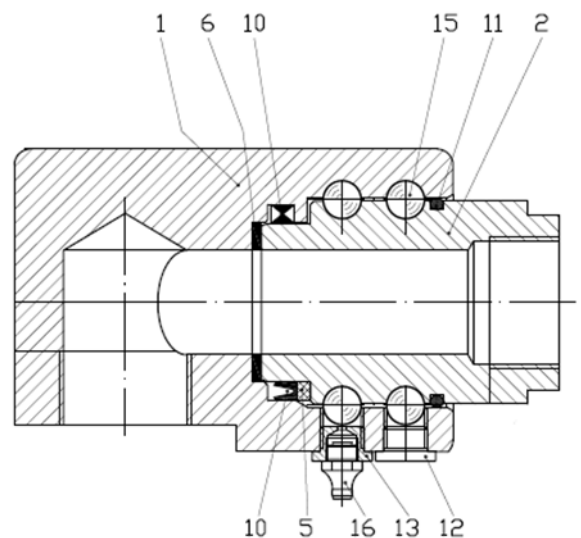
Certifications:

	TA-Luft
--	---------



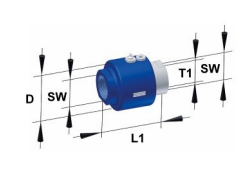
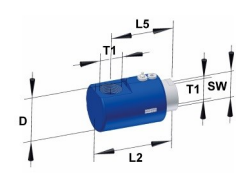
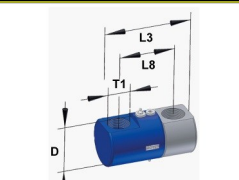
Pos. Description

1	Outer part
2	Inner part
5	Back up ring
6	Internal wiper
10	Gasket
11	Dust Seal
12	Plug
13	Plug
15	Ball
16	Grease nipple



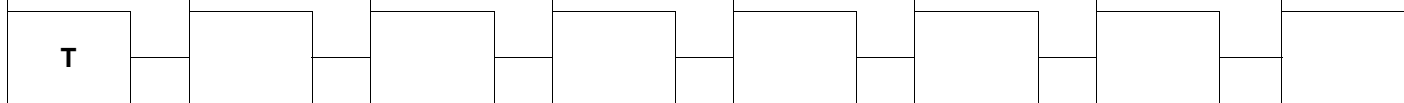
Type T

DN	8	10	15	20	25	32	40	50
T1 ["]	1/4"	3/8"	1/2"	3/4"	1"	1 1/4"	1 1/2"	2"
L1 [mm]	100	100	100	100	112	122	122	145
L2 [mm]	120	120	120	120	137	172	172	200
L3 [mm]	140	140	140	140	162	212	212	245
L5 [mm]	100	100	100	100	112	137	137	160
L8 [mm]	100	100	100	100	112	142	142	165
Ø / D	73	73	73	73	87	97	97	117
SW	55	55	55	55	46	55/60	60	70

Weight [kg]	Style 10		2.6	2.6	2.6	2.6	3.2	4.1	4.0	6.5
	Style 11		3.3	3.3	3.3	3.3	4.5	6.8	6.8	11.4
	Style 12		3.9	3.9	3.9	3.9	6.1	9.4	9.4	14.5

Ordering System:

Type	Connections right / left	Style	Nominal diameter	Material	Working pressure	Miscellaneous	Smooth Running Design
W	S = Female thread (Bush)	10	G1/4" up to G2"	St52-3	up to 6.000 psi (for applications with higher pressure we offer special swivel joints)	DIN	SR1*
LW		11		1.4571		ANSI	SR2**
T		12		42CrMo4		SAE	
LT				Duplex		...	
V				Hastelloy			
LA				Superduplex			
LCF							
HCR							
F							
LF							
FP							
LFP							



*SR1 = Special gasket with surface finishing
 **SR2 = Standard gasket with surface finishing

Additional Information:

Media / fluid (gasoline, sulfuric acid, milk, LPG...):
 Working temperature:
 Working space situation (dimensions, temperature of environment, etc...):
 Type of movement (swiveling / angle?, rotation / rpm?...):
 Side load:
 Miscellaneous requirements: