



Type LF



IGA International
TEC

Standard Swivel Joints



with Welding Connection

with Threaded Connection

for Loading Arms

for Food and Pharmaceuticals

Know how & consulting directly from manufacturer with decades of experience

That's why you choose... The logo for IGATEC International features the word 'IGATEC' in a large, bold, grey sans-serif font. Above the 'TEC' part, the word 'International' is written in a smaller, blue sans-serif font. A horizontal blue line runs through the middle of the 'IGATEC' text.

- **Radial gaskets**
Allow a maximum of feasible sealing materials and longer lifetime compared to axial gaskets
- **DUPLEX, SUPERDUPLEX, HASTELLOY, ALUMINIUM...**
We machine all compatible materials
- **ASME, NACE, Norsok, DIN...**
We manufacture according to all required guidelines and directives
- **Customized connections**
- **IGATEC Swivel Joints**
Made of carbon steel (e.g. St52-3, ...) are nitrided to reach maximized hardness of surface and optimized corrosion protection at the same time
- **Certifications**
TA-Luft
VdS
ISO 9001:2008

Headquarter

**IGATEC GmbH &
IGATEC International GmbH**
Siemensstraße 18
D-67346 Speyer

Phone: +49 (0)6232 91 904-0
Fax: +49 (0)6232 91 904-990
eMail: info@igatec.de

Subsidiary

IGATEC International GmbH
Profilstraße 6
D-58093 Hagen

Phone: +49 (0)2331 36 788-0
Fax: +49 (0)2331 36 788-11
eMail: info@igatec-international.de

Swivel Joint Type LF

for Food and Pharmaceuticals (FDA conform)



Dimensions:

Nominal diameter	DN25 / 1" up to DN200 / 8"
Working pressure P _{max}	10 bar / 145 psi *
Working temp. T _{min/max}	-55°C up to 250°C / -67°F up to 482°F *
Material	1.4571
Gasket material	FDA conform
Ball material	Stainless steel
Connection	Welding
Style	10, 11, 12, 20, 21, 22, 30, 31
Application	Food and pharmaceuticals

* P_{max} and T_{max} may not occur at the same time

Technical Features:

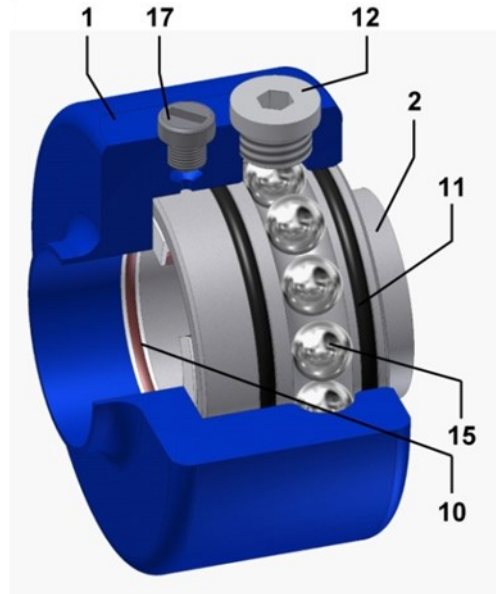
Design	Standard
No. of ball races	1
Fluid	Vegetable oil, ketchup,...
Type of sealing	Axial to minimize "dead space"
External dust seal	Yes
Secondary seal	Yes
Body	Two-parts
Connection for leakage control	Yes
Without grease nipple	On request (e.g. floating suction systems)
Maximum speed	Depends on gasket material

Further Advantages:

	Perfect concentric run-out, easy handling
--	-------------------------------------------

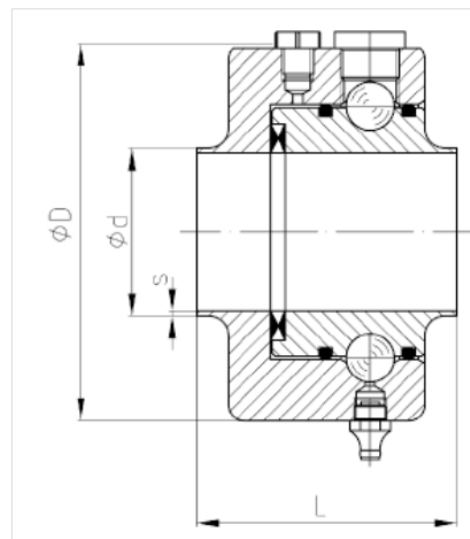
Dimensions and Weights:

DN	25	32	40	50	65	80	100	125	150	200
L [mm]	71	71	71	81	81	83	83	85	85	95
Ø / D [mm]	87	97	97	117	132	152	172	197	223	291
Ø / d [mm]	28	35	40	52	70	85	104	129	154	204
S [mm]	1.5	1.5	1.5	1.5	2	2	2	2	2	2
Weight [kg]	1.9	2.5	2.5	4.2	4.6	6.1	7.0	8.8	10.3	19.7



Pos. Description

Pos.	Description
1	Outer part
2	Inner part
10	Gasket
11	Dust seal
12	Plug
15	Ball
16	Grease nipple
17	Plastic plug



Ordering System:

Type	Connections right / left	Style	Nominal diameter	Material	Working pressure	Miscellaneous
W	___ = Welding	10	1" up to 8"	1.4571	up to 145 psi	DIN
LW		11				ANSI
T		12				SAE
LT						...
V		20				(for applications
LA		21				with higher
LCF		22				pressure we
HCR						offer special
F		30				swivel joints)
LF		31				
FP						
LFP						
LF						

Additional Information:

Media / fluid (gasoline, sulfuric acid, milk, LPG...):

Working temperature:

Working space situation (dimensions, temperature of environment, etc...):

Type of movement (swiveling / angle?, rotation / rpm?...):

Side load:

Miscellaneous requirements: