



**Type LA**

**IGA** International  
**TEC**

## Standard Swivel Joints

with Welding Connection

with Threaded Connection

**for Loading Arms**

for Food and Pharmaceuticals

# Know how & consulting directly from manufacturer with decades of experience

That's why you choose... The logo for IGATEC International. It features the word 'IGA' in a large, bold, grey font on the left, and 'TEC' in a similar font on the right. Above 'IGA' is the word 'International' in a smaller, blue font. A horizontal blue line runs across the top of the 'IGA' and 'TEC' letters.

- **Radial gaskets**  
Allow a maximum of feasible sealing materials and longer lifetime compared to axial gaskets
- **DUPLEX, SUPERDUPLEX, HASTELLOY, ALUMINIUM...**  
We machine all compatible materials
- **ASME, NACE, Norsok, DIN...**  
We manufacture according to all required guidelines and directives
- **Customized connections**
- **IGATEC Swivel Joints**  
Made of carbon steel (e.g. St52-3, ...) are nitrided to reach maximized hardness of surface and optimized corrosion protection at the same time
- **Certifications**  
TA-Luft  
VdS  
ISO 9001:2008

## Headquarter

**IGATEC GmbH &  
IGATEC International GmbH**  
Siemensstraße 18  
D-67346 Speyer

Phone: +49 (0)6232 91 904-0  
Fax: +49 (0)6232 91 904-990  
eMail: [info@igatec.de](mailto:info@igatec.de)

## Subsidiary

**IGATEC International GmbH**  
Profilstraße 6  
D-58093 Hagen

Phone: +49 (0)2331 36 788-0  
Fax: +49 (0)2331 36 788-11  
eMail: [info@igatec-international.de](mailto:info@igatec-international.de)

# Swivel Joint Type LA

## for Loading Arms

### Dimensions:

Nominal diameter	DN25 / 1" up to DN250 / 10"
Working pressure P <sub>max</sub>	40 bar / 580 psi *
Working temp. T <sub>min/max</sub>	-55°C up to 250°C / -67°F up to 482°F *
Material	26CrMo4, 1.4571, stainless steel, c-steel, low temp. steel
Gasket material	NBR, Viton, PTFE, HPU
Ball material	Stainless steel
Connection	Welding
Style	10, 11, 12, 20, 21, 22, 30, 31
Application	Loading arms

\* P<sub>max</sub> and T<sub>max</sub> may not occur at the same time

### Technical Features:

Design	Standard
No. of ball races	2
Fluid	Diesel, Ethanol, LPG,...
Type of sealing	Radial
External dust seal	Yes
Secondary seal	No
Body	Three-parts
Connection for leakage control	On request
Without grease nipple	On request (e.g. floating suction systems)
Maximum speed	Depends on gasket material

### Further Advantages:

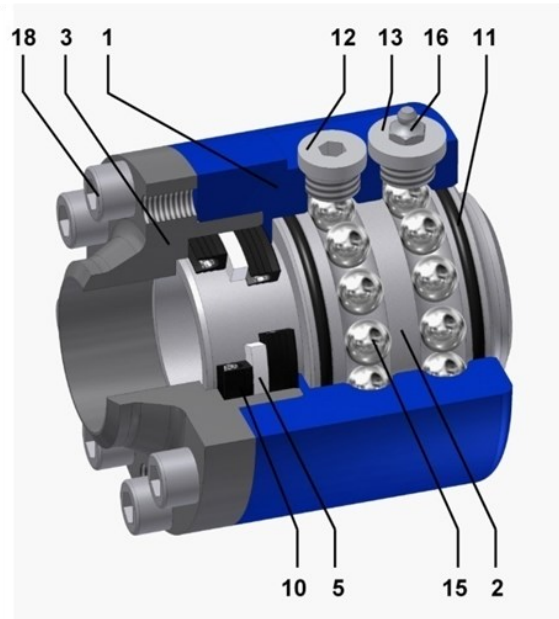
	Perfect concentric run-out, easy handling
--	---

### Certifications:

	TA-Luft
--	---------

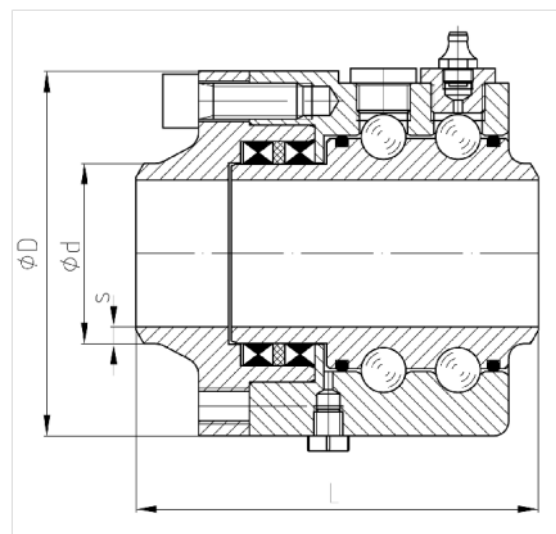
### Dimensions and Weights:

DN	25	32	40	50	65	80	100	125	150	200	250
L [mm]	120	120	120	135	135	140	140	155	155	195	195
Ø / D [mm]	92	102	102	122	136	158	188	218	248	338	393
Ø / d [mm]	33.7	42.4	48.3	60.3	76.1	88.9	114.3	139.7	168.3	219.1	273
S [mm]	3.85	5.0	5.6	5.6	5.6	5.6	5.6	5.6	7.1	7.1	7.1
Weight [kg]	4.1	5.0	4.8	7.6	9.2	12.4	15.9	22.6	28.8	69.5	80.0



### Pos. Benennung

1	Outer part
2	Inner part
3	Flange
5	Back up ring
10	Gasket
11	Dust seal
12	Plug
13	Plug
15	Ball
16	Grease nipple
18	Allen screw
19	Plastic plug



**Ordering System:**

Type	Connections right / left	Style	Nominal diameter	Material	Working pressure	Miscellaneous		
W	___ = Welding	10	1" up to 10"	26CrMo4	up to 580 psi  (for applications with higher pressure we offer special swivel joints)	DIN		
LW		11		1.4571		ANSI		
T		12				SAE		
LT				low temp. steel		...		
V		20						
<b>LA</b>		21						
LCF		22						
HCR				(other materials on request)				
F		30						
LF		31						
FP								
LFP								
<b>LA</b>								

**Additional Information:**

Media / fluid (gasoline, sulfuric acid, milk, LPG...):

Working temperature:

Working space situation (dimensions, temperature of environment, etc...):

Type of movement (swiveling / angle?, rotation / rpm?...):

Side load:

Miscellaneous requirements: