



**Type CF**



## Customized Swivel Joints



**Center Flange Swivel Joints**

High Temperature Swivel Joints

Design According to Customers Requirements

# Know how & consulting directly from manufacturer with decades of experience

That's why you choose... The logo for IGATEC International features the word 'IGATEC' in a large, bold, grey sans-serif font. Above the 'TEC' part, the word 'International' is written in a smaller, blue sans-serif font. A horizontal blue line runs through the middle of the 'IGATEC' text.

- **Radial gaskets**  
Allow a maximum of feasible sealing materials and longer lifetime compared to axial gaskets
- **DUPLEX, SUPERDUPLEX, HASTELLOY, ALUMINIUM...**  
We machine all compatible materials
- **ASME, NACE, Norsok, DIN...**  
We manufacture according to all required guidelines and directives
- **Customized connections**
- **IGATEC Swivel Joints**  
Made of carbon steel (e.g. St52-3, ...) are nitrided to reach maximized hardness of surface and optimized corrosion protection at the same time
- **Certifications**  
TA-Luft  
VdS  
ISO 9001:2008

## Headquarter

**IGATEC GmbH &  
IGATEC International GmbH**  
Siemensstraße 18  
D-67346 Speyer

Phone: +49 (0)6232 91 904-0  
Fax: +49 (0)6232 91 904-990  
eMail: [info@igatec.de](mailto:info@igatec.de)

## Subsidiary

**IGATEC International GmbH**  
Profilstraße 6  
D-58093 Hagen

Phone: +49 (0)2331 36 788-0  
Fax: +49 (0)2331 36 788-11  
eMail: [info@igatec-international.de](mailto:info@igatec-international.de)

# Swivel Joint Type CF

## Center Flange Swivel Joint

### Dimensions:

Nominal diameter	DN25 / 1" up to DN1000 / 28" [larger on request]
Working pressure $P_{max}$	Up to 420 bar / 6.000 psi *
Working temp. $T_{min/max}$	-55°C up to 250°C / -67°F up to 482°F *
Material	According to customers spec.
Gasket material	NBR, Viton, PTFE, HPU
Ball material	Stainless steel
Connections	Flange according to customers spec.
Style	10
Application	Universal

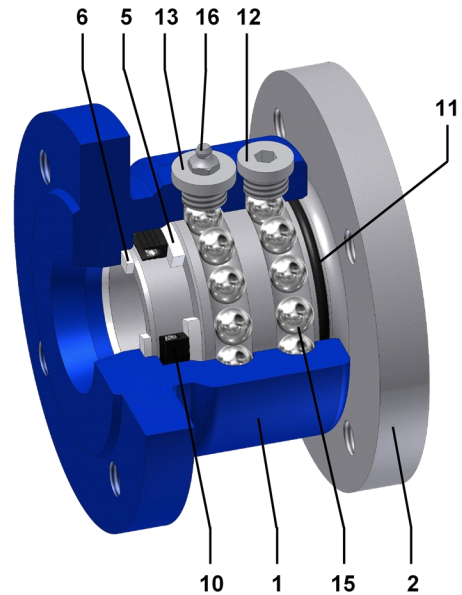
\*  $P_{max}$  and  $T_{max}$  may not occur at the same time

### Technical Features:

Design	Customized
No. of ball races	2
Fluid	According to customers spec.
Type of sealing	Radial
External dust seal	Yes
Secondary seal	No
Body	Two-parts
Connection for leakage control	On request
Without grease nipple	On request (e.g floating suction systems)
Maximum speed	Depends on gasket material

### Further Advantages:

	Perfect concentric run-out, easy handling
--	---



### Pos. Description

1	Outer part
2	Inner part
5	Back up ring
6	Internal wiper
10	Gasket
11	Dust seal
12	Plug
13	Plug
15	Ball
16	Grease nipple

