



Dry Disconnet Coupling

Technical Data

Executions

Flowrate

Know How & Consulting directly from Manufacturer with decades of Experience

Therefore ... The logo for IGATEC International features the word 'IGATEC' in a large, bold, sans-serif font. Above the 'TEC' part, the word 'International' is written in a smaller, blue, sans-serif font. A horizontal blue line runs through the middle of the 'IGATEC' text.

- **Dry Disconnection / No Spillage**
The single action grip and lock improves safety and time efficiency.
- **DUPLEX, SUPERDUPLEX, HASTELLOY, ALUMINIUM...**
a wide range of materials are available
- **ASME, NACE, NORSOK, DIN...**
we manufacture according to many Guidelines
- **Customized end connections available**
- **Certifications**



Head Office

**IGATEC GmbH &
IGATEC International GmbH**
Siemensstraße 18
D-67346 Speyer

Phone: +49 (0)6232 91 904-0
Fax: +49 (0)6232 91 904-990
eMail: info@igatec.de

Subsidiary

IGATEC International GmbH
Profilstraße 6
D-58093 Hagen

Phone: +49 (0)2331 36 788-0
Fax: +49 (0)2331 36 788-11
eMail: info@igatec-international.de



Please note that this literature is not intended to be an Installation, Operating or Maintenance (IOM) Guide. For IOM and Health & Safety information please call the IGATEC team or refer to the IOM documentation supplied with the unit.

Inhalt		Seite	
Ordering standard units: IGATEC Code Maker		4	
Advantages – quicker, cleaner and safer		5	
Sizes / Nominal Diameter		6	
Technical Data		7	
Fluids / Media		8	
Features / Properties		8	
Flow Rate		9	
Pressure Drop (Flow) Diagram		9	
Safety Lock Pin		10	
Nominal Diameter	Type	End Connection	
1" DN25 Ø 56 mm	Summary		11
	Working pressures and maximum flow rate		11
	Hose Coupling	Female	12
		Male	12
		Flange	13
	Tank Adapter	Female	13
		Male	14
		Flange	14
	2" DN50 Ø 70 mm	Summary	
Working pressures and maximum flow rate		15	
Hose Coupling		Female	16
		Male	16
		Flange	17
Tank Adapter		Female	18
		Male	18
		Flange	19
3" DN80 Ø 119 mm		Summary	
	Working pressures and maximum flow rate		20
	Hose Coupling	Female	21
		Flange	21
	Tank Adapter	Female	22
		Flange	22

Content



This Product information is for guidance only. Weights, dimensions and technical data is rounded and may vary according to specifications and other variables. Always confirm details with the IGATEC team when purchasing.

Nennweite	Typ	Anschluss	Seite
4" DN100 Ø 164 mm	Summary		23
	Working pressures and maximum flow rate		23
	Hose Coupling	Female	24
		Flange	24
	Tank Adapter	Female	25
		Flange	25
6" DN150 Ø 238 mm	Summary		26
	Working pressures and maximum flow rate		26
	Hose Coupling	Female	27
		Flange	27
	Tank Adapter	Female	28
		Flange	28
Dust Caps	Hose Coupling		29
	Tank Adapter		30
Selectivity	Overview		31
	1" DN25 Ø 56 mm		31
	2" DN50 Ø 70 mm		32
	3" DN80 Ø 119 mm		32
	4" DN100 Ø 164 mm		33
	6" DN150 Ø 238 mm		33

Easy ordering of QS standard units using the IGATEC CODE MAKER

Next to each item is the relevant Part Number Guide.
For example, to order:

**Hose Coupling with Female End Connection -
2" DN50 Ø70mm
Stainless steel with NPT Connection**

The Part Number would be:

DLH 020 S ZVV U BPZ

2"	020			
1 1/2"	215			
DLH		ZVV		BPZ
Stainless Steel	S	BSPP	M	
Aluminium	A	BSPT	P	
		NPT	U	

The IGATEC DDC is much faster than other connection methods: delivering transfer time savings.
No draining of hoses or systems required: providing savings on labour and clean-up costs.

No spillage

On connection and disconnection, the valves open and close automatically. This reduces the likelihood of human error in transfer operations and reduces risk of spillage.

Single action grip and lock

The single action grip and lock **improves safety and time efficiency;** particularly useful in fast operations and demanding conditions.

Choice of twin square or round grip handles



Ergonomically **designed for easy grip,** the DDC offers twin square grip handles or round handle. You choose which grip option is most suitable depending on the application and environment.

Typical applications

- Ship-to-Ship Transfer
- Ship-to-Shore Transfer
- Ship-to-Rig Transfer
- Marine refuelling
- Road Tanker bulk loading and unloading
- Railcar bulk loading and unloading
- Ship Terminal
- Liquid/Bulk Terminal

High flow rates

High flow rates deliver money saving efficient product transfer.

Robust design and construction

The DDC is designed for applications, where robust reliability is vital to efficient operations.

Safety Lock Pin

The unique Lock Pin provides an **additional safety feature;** crucial in fast moving or challenging environments. The Lock Pin prevents inadvertent disconnections; whether due to human error or operating conditions such as severe vibration. The **Safety Lock Pin** is fitted as **standard for sizes 2", 3" and 4"**.

Selectivity options

Selectivity options **protect against cross contamination** and reduce the risk of human error in transfer operations.

The DDC is equally suitable for both flexible hose and loading arm applications.

Minimising risk of spills.

IGATEC offers experience and a track-record for innovation and reliable solutions.

If you require information or advice about safe product transfer then contact us on:

+49 (0) 2331 367 880
info@igatec-international.de

Sizes / Nominal Diameter



Sizes		Materials	
Imperial	Metric		
½" *	DN15	Aluminium	Stainless Steel
¾" *	DN20	Aluminium	Stainless Steel
1"	DN25	Aluminium	Stainless Steel
1¼" *	DN32	Aluminium	Stainless Steel
1½" *	DN40	Aluminium	Stainless Steel
2"	DN50	Aluminium	Stainless Steel
2½" *	DN65	Aluminium	Stainless Steel
3"	DN80	Aluminium	Stainless Steel
4"	DN100	Aluminium	Stainless Steel
6"	DN150	Aluminium	Stainless Steel

Other sizes and materials available on request.

*Sizes achieved using a reducer.

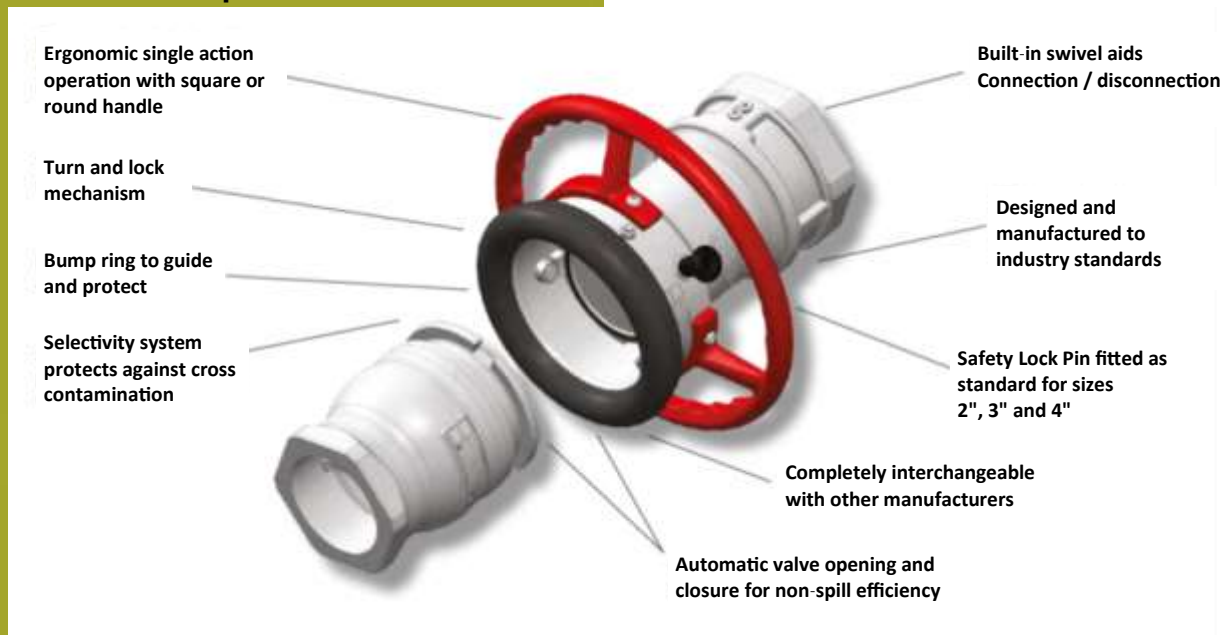
Seals:	FKM (Viton®), NBR (Nitrile), EPDM, Chemraz®, Kalrez®, Isolast® andere Materialien auf Anfrage
Pressure rating:	PN10—PN25
Temperature rating:	Stainless steel -20°C (LPG down to -50°C) up to 100°C Aluminium -20°C up to 60°C
End connections:	BSP / NPT threads / DIN / ANSI / TTMA flanges. (available for both tank and hose units). Other threads and flanges available on request.
Compatibility:	NATO STANAG 3756
Trademarks:	Viton® and Kalrez® are registered trademarks of DuPont Performance Elastomers. Chemraz® is a registered trademark of Green-Tweed.



Fluid / Media

Fluid / Media	1"	2"	3"	4"	6"
	DN25	DN50	DN80	DN100	DN150
Petroleum	X	X	X	X	X
Gasoline	X	X	X	X	X
Diesel	X	X	X	X	X
Oil	X	X	X	X	X
Butadiene	X	X	X	X	X
Ammonia	X	X	X	X	X
Ethylene Oxid	X	X	X	X	X
Propylene Oxid	X	X	X	X	X
Acrylonitrile	X	X	X	X	X
Toluene	X	X	X	X	X
Xylene	X	X	X	X	X
Vinyl Chloride	X	X	X	X	X
Phenol	X	X	X	X	X
other	Contact the IGATEC team.				

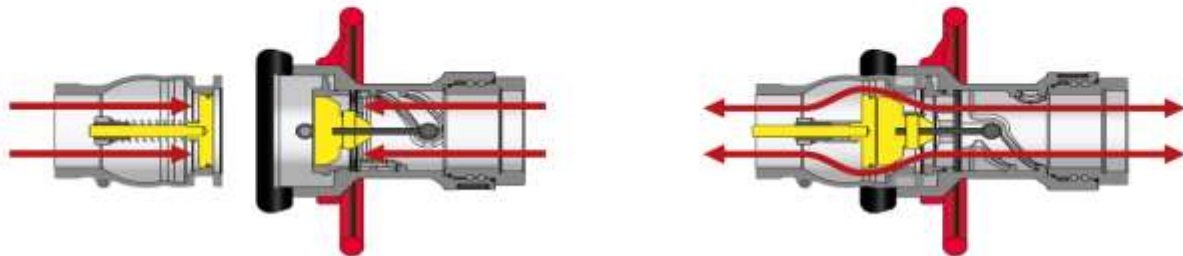
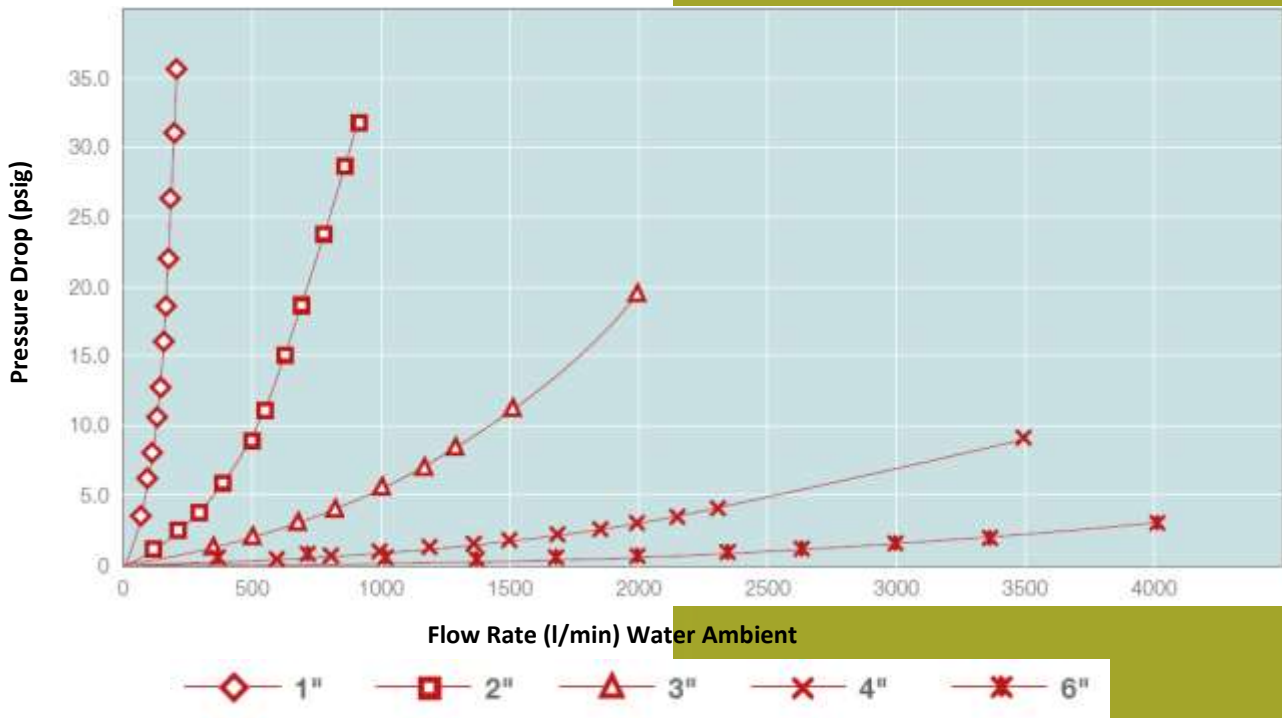
Features / Properties



Maximum Flow Rate Summary

Sizes	1" DN25	2" DN50	3" DN80	4" DN100	6" DN150
Flow Rate [l/min]	200	900	2.000	3.500	4.000
Flow Rate[m ³ /h]	12	54	120	210	240
Medium used for flow test: water ambient.					

Pressure Drop (Flow) Diagram



Safety Lock Pin

Lock Pin / Sizes

Sizes	½" *	¾" *	1"	1¼" *	1½" *	2"	3" *	4"	6"
	DN15	DN20	DN25	DN32	DN40	DN50	DN80	DN100	DN150
Lock Pin				X	X	X	X	X	**

* Sizes achieved using a Reducer

** Available on request



The DDC Safety Lock Pin prevents inadvertent disconnections.

Hose Coupling / Tank Adapter – 1" DN25 Ø56 mm

Size range including reducers

½"	¾"	1"
DN15	DN20	DN25

Working Pressures

Material	Druckbereich	Prüfdruck
Aluminium	16bar/ 232psi	24bar/ 348psi
Stainless Steel	25bar/ 363psi	37,4bar/ 544psi

Maximum Flow Rate – 200 litres per minute (based on water ambient).

Connection Sizes

½", ¾", 1" in BSP, NPT and flanged end connection.

Typical Applications

Road and refuelling of tankers, railcar, marine transfer vessels, intermediate bulk containers and processing plants.

Typical Media

Petroleum: Gasoline, Diesel, Oil.

Chemical: Butadiene, Ammonia, Ethylene Oxide, Propylene Oxide, Acrylonitrile, Toluene, Xylene, Vinyl Chloride, Phenol.

Liquefied gases.

Other: contact the IGATEC team.

Typical Industries

Petrochemical and pharmaceutical.

Seals

Standards seals are available in FPM (Viton®), EPDM, Chemraz®, Kalrez®, NBR (Nitrile), Iso-last®. For other seal materials contact the IGATEC team.

Selectivity

Risk of contamination caused by incorrect hose to tanker connection is removed with the QS Selectivity feature. Specified at time of order.

Compatibility

Industry standard connectivity: compatible with all industry standard products such as TO-DO, Avery Hardoll and Mann-Tek.

Material

Aluminium, Stainless Steel.

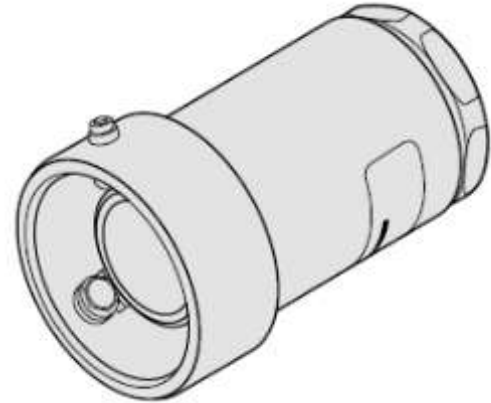
For other materials contact the IGATEC team.

1" DN25 Ø56 mm

Schlauchkupplung: Innengewinde – 1" DN25 Ø56 mm

Größen und Gewichte: Schlaucheinheit mit Innengewinde

Nennweiten		Gewicht			
Imperial	Metrisch	Aluminium		Edelstahl	
		lbs	kg	lbs	kg
F ½"	DN15	1,1	0,5	2,87	1,3
F ¾"	DN20	1,1	0,5	2,87	1,3
F 1"	DN25	1,1	0,5	2,87	1,3
F 1¼"	DN32	1,1	0,5	2,87	1,3



Spezifikationen: Schlaucheinheit mit Innengewinde

Material	Aluminium, Edelstahl
Dichtung	Viton
O-Ring	Standard FPM/FKM (Viton)

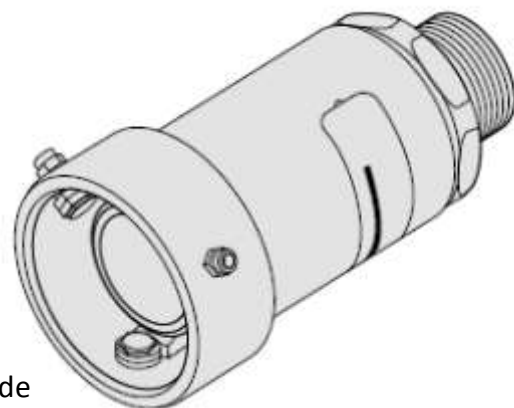
DLH	010	ZVV	CZZ
Edelstahl	S	BSPP	M
Aluminium	A	BSPT	P
		NPT	U

Dichtung / O-Ring / Gewinde: andere auf Anfrage

Schlauchkupplung: Außengewinde – 1" DN25 Ø56 mm

Größen und Gewichte: Schlaucheinheit mit Außengewinde

Imperial	Metrisch
M ½"	DN15
M ¾"	DN20
M 1"	DN25



Spezifikationen: Schlaucheinheit mit Außengewinde

Material	Aluminium, Edelstahl
O-Ring	Standard FPM/FKM (Viton)

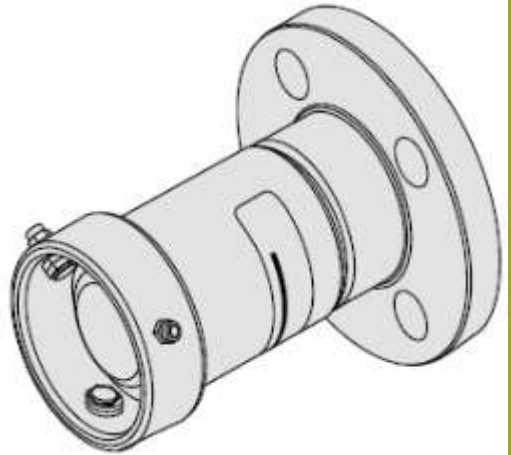
DLH	010	ZVV	CZZ
Edelstahl	S	BSPP	M
Aluminium	A	BSPT	P
		NPT	U

O-Ring / Gewinde: andere auf Anfrage

Schlauchkupplung: Flansch – 1" DN25 Ø56 mm

Größen und Gewichte: Schlaucheinheit mit Flansch

Nennweiten		Druckstufe	Gewicht			
Imperial	Metrisch		Aluminium		Edelstahl	
			lbs	kg	lbs	kg
1"	DN25	PN10/16	2,42	1,1	4,85	2,2
1"	DN25	PN25/40	2,42	1,1	4,85	2,2
1"	DN25	ANSI 150	2,42	1,1	4,85	2,2
1"	DN25	ANSI 300	2,42	1,1	4,85	2,2



Spezifikationen: Schlaucheinheit mit Flansch

Flansch	ANSI, DIN
Material	Aluminium, Edelstahl
O-Ring	Standard FPM/FKM (Viton)

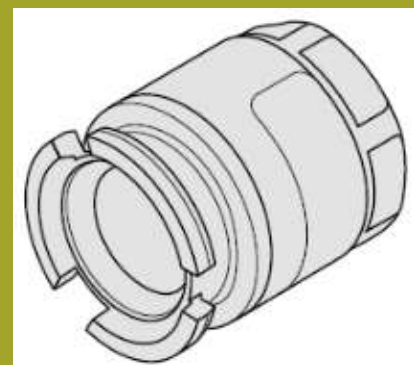
O-Ring / Flansche: andere auf Anfrage

DLH	010	ZVV	
Edelstahl	S	ANSI 150	A1
Aluminium	A	ANSI 300	B1
		PN10	G1
		PN16	H1
		PN25	J1
		PN40	K1

Tank Adapter: Innengewinde – 1" DN25 Ø56 mm

Größen und Gewichte: Tank Adapter mit Innengewinde

Nennweiten		Gewicht			
Imperial	Metrisch	Aluminium		Edelstahl	
		lbs	kg	lbs	kg
F 1"	DN25	0,66	0,3	1,54	0,7



Spezifikationen: Tank Adapter mit Innengewinde

Material	Aluminium, Edelstahl
Dichtung	Viton
O-Ring	Standard FPM/FKM (Viton)

Dichtung / O-Ring : andere auf Anfrage

DLT	010	ZV	
Edelstahl	S	BSPP	M
Aluminium	A	BSPT	P
		NPT	U

1" DN25 Ø56 mm

Tank Adapter: Außengewinde – 1" DN25 Ø56 mm

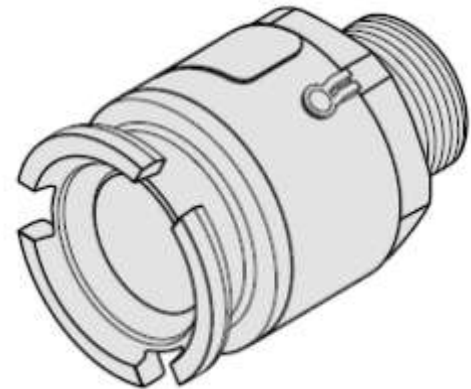
Größen und Gewichte: Tank Adapter mit Außengewinde

Nennweiten		Gewicht			
Imperial	Metrisch	Aluminium		Edelstahl	
		lbs	kg	lbs	kg
M ¾"	DN20	0,66	0,3	1,54	0,7
M 1"	DN25	0,66	0,3	1,54	0,7

Spezifikationen: Tank Adapter mit Innengewinde

Material	Aluminium, Edelstahl
Dichtung	Viton

Dichtung / O-Ring : andere auf Anfrage



DLT	010	ZV	
Edelstahl	S	BSPP	M
Aluminium	A	BSPT	P
		NPT	U

Tank Adapter: Flansch – 1" DN25 Ø56 mm

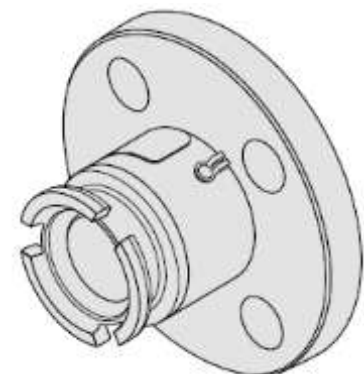
Größen und Gewichte: Tank Adapter mit Flansch

Nennweiten		Druck- stufe	Gewicht			
Imperial	Metrisch		Aluminium		Edelstahl	
			lbs	kg	lbs	kg
1"	DN25	PN10/16	2,42	1,1	3,31	1,5
1"	DN25	PN25/40	2,42	1,1	3,31	1,5
1"	DN25	ANSI 150	2,42	1,1	3,31	1,5
1"	DN25	ANSI 300	2,42	1,1	3,31	1,5

Spezifikationen: Tank Adapter mit Flansch

Flansch	ANSI, DIN
Material	Aluminium, Edelstahl
O-Ring	Standard FPM/FKM (Viton)

O-Ring / Flansche: andere auf Anfrage



DLT	010	ZV	
Edelstahl	S	ANSI 150	A1
Aluminium	A	ANSI 300	B1
		PN10	G1
		PN16	H1
		PN25	J1
		PN40	K1

Schlauchkupplung / Tank Adapter – 2" DN50 Ø70 mm

Nennweitenbereich inkl. Adapter

1¼"	1½"	2"
DN32	DN40	DN50

Arbeitsdruck

Material	Druckbereich	Prüfdruck
Aluminium	16bar/232psi	24bar/348psi
Edelstahl	25bar/363psi	37,4bar/544psi

max. Durchfluss Rate — 200l/min (Wasser mit ca. 20°C)



Connection Sizes

1¼", 1½", 2" in BSP, NPT and flanged end connection.

Typical Applications

Road and refuelling of tankers, railcar, marine transfer vessels, intermediate bulk containers and processing plants.

Typical Media

Petroleum: Gasoline, Diesel, Oil.

Chemical: Butadiene, Ammonia, Ethylene Oxide, Propylene Oxide, Acrylonitrile, Toluene, Xylene, Vinyl Chloride, Phenol.

Liquefied gases.

Other: contact the IGATEC team.

Typical Industries

Petrochemical and pharmaceutical.

Seals

Standards seals are available in FPM (Viton®), EPDM, Chemraz®, Kalrez®, NBR (Nitrile), Iso-last®. For other seal materials contact the IGATEC team.

Selectivity

Risk of contamination caused by incorrect hose to tanker connection is removed with the QS Selectivity feature. Specified at time of order.

Compatibility

Industry standard connectivity: compatible with all industry standard products such as TO-DO, Avery Hardoll and Mann-Tek.

Material

Aluminium, Stainless Steel.

For other materials contact the IGATEC team.

2" DN50 Ø70 mm

Schlauchkupplung: Innengewinde – 2" DN50 Ø70 mm

Größen und Gewichte: Kupplung mit Innengewinde

Nennweiten		Gewicht			
Imperial	Metrisch	Aluminium		Edelstahl	
		lbs	kg	lbs	kg
F 1½" NPT	DN40	5,95	2,7	11,02	5
F 2 NPT	DN50	5,29	2,4	9,92	4,5
F 1½" BSP	DN40	5,95	2,7	11,02	5
F 2 BSP	DN50	5,29	2,4	9,92	4,5



Spezifikationen: Kupplung mit Innengewinde

Material	Aluminium, Edelstahl
O-Ring	Standard FPM/FKM (Viton)

Dichtung / O-Ring / Gewinde: andere auf Anfrage

2"	020			
1½"	215			
DLH		ZVV		BPZ
Edelstahl	S	BSPP	M	
Aluminium	A	BSPT	P	
		NPT	U	

Schlauchkupplung: Außengewinde – 2" DN50 Ø70 mm

Größen und Gewichte: Kupplung mit Außengewinde

Imperial	Metrisch
M 2"	DN50

Spezifikationen: Schlaucheinheit mit Außengewinde

Material	Aluminium, Edelstahl
O-Ring	Standard FPM/FKM (Viton)

O-Ring / Gewinde: andere auf Anfrage

DLH	020	ZVV		BPZ
Edelstahl	S	BSPP	M	
Aluminium	A	BSPT	P	
		NPT	U	

Schlauchkupplung: Flansch –

2" DN50 Ø70 mm

Größen und Gewichte: Schlaucheinheit mit Flansch

Nennweiten		Druck- stufe	Gewicht			
Imperial	Metrisch		Aluminium		Edelstahl	
			lbs	kg	lbs	kg
1½"	DN40	PN10/16	7,94	1,1	16.76	7.6
2"	DN50	PN10/16	8,38	1,1	15.65	7,1
1½"	DN40	ANSI 150	7,5	1,1	14.99	6,8
2"	DN50	ANSI 150	8,6	1,1	13.89	6,3
1½"	DN40	PN25/40	—	—	16.76	7.6
2"	DN50	PN25/40	—	—	15.65	7,1
1½"	DN40	ANSI 300	—	—	16.76	7.6
2"	DN50	ANSI 300	—	—	15.65	7,1

Spezifikationen: Schlaucheinheit mit Flansch

Flansch	ANSI, DIN
Material	Aluminium, Edelstahl
O-Ring	Standard FPM/FKM (Viton)

O-Ring / Flansche: andere auf Anfrage

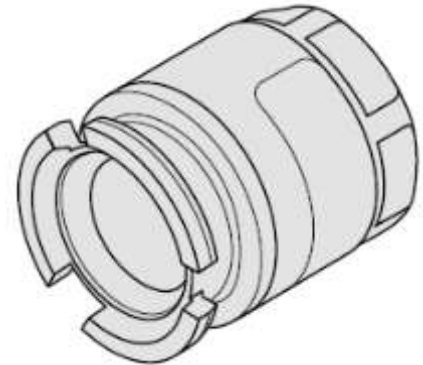
2"	020			
1½"	215			
DLH		ZVV		BAZ
Edelstahl	S	ANSI 150	A1	
Aluminium	A	ANSI 300	B1	
		PN10	G1	
		PN16	H1	
		PN25	J1	
		PN40	K1	

2" DN50 Ø70 mm

Tank Adapter: Innengewinde – 2" DN50 Ø70 mm

Größen und Gewichte: Tank Adapter mit Innengewinde

Nennweiten		Gewicht			
Imperial	Metrisch	Aluminium		Edelstahl	
		lbs	kg	lbs	kg
F 1½"	DN40	1,98	0,9	4,41	2
F 2"	DN50	1,32	0,6	3,31	1,5



Spezifikationen: Tank Adapter mit Innengewinde

Material	Aluminium, Edelstahl
Dichtung	Viton
O-Ring	Standard FPM/FKM (Viton)

Dichtung / O-Ring : andere auf Anfrage

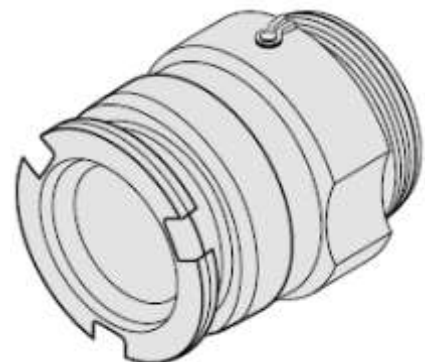
2"	020		
1½"	215		
DLH		ZV	
Edelstahl	S	BSPP	M
Aluminium	A	BSPT	P
		NPT	U

Tank Adapter: Außengewinde – 2" DN50 Ø70 mm

Spezifikationen: Tank Adapter mit Innengewinde

Material	Aluminium, Edelstahl
Dichtung	Viton

Dichtung / O-Ring : andere auf Anfrage



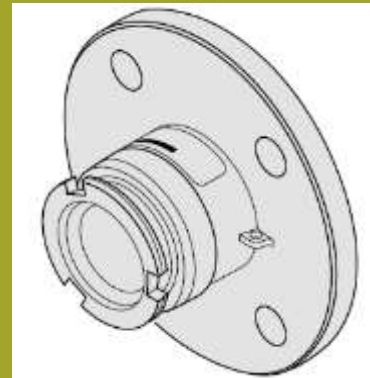
2"	020		
1½"	215		
DLH		ZV	
Edelstahl	S	BSPP	N
Aluminium	A	BSPT	R
		NPT	V

Tank Adapter: Flansch –

2" DN50 Ø70 mm

Größen und Gewichte: Tank Adapter mit Flansch

Nennweiten		Druckstufe	Gewicht			
Imperial	Metrisch		Aluminium		Edelstahl	
			lbs	kg	lbs	kg
1½"	DN40	PN10/16	3,97	1,8	10,36	4,7
2"	DN50	PN10/16	3,31	1,5	9,26	4,2
1½"	DN40	ANSI 150	3,75	1,7	9,04	4,1
2"	DN50	ANSI 150	3,09	1,4	7,94	3,6
1½"	DN40	PN25/40	—	—	10,36	4,7
2"	DN50	PN25/40	—	—	9,26	4,2
1½"	DN40	ANSI 300	—	—	10,58	4,8
2"	DN50	ANSI 300	—	—	9,48	4,3



Spezifikationen: Tank Adapter mit Flansch

Flansch	ANSI, DIN
Material	Aluminium, Edelstahl
O-Ring	Standard FPM/FKM (Viton)

O-Ring / Flansche: andere auf Anfrage

2"	020		
1½"	215		
DLH		ZV	
Edelstahl	S	ANSI 150	A1
Aluminium	A	ANSI 300	B1
		PN10	G1
		PN16	H1
		PN25	J1
		PN40	K1

3" DN80 Ø119 mm

Schlauchkupplung / Tank Adapter – 3" DN80 Ø119 mm

Nennweitenbereich inkl. Adapter

3"	2½"
DN80	DN65



Arbeitsdruck

Material	Druckbereich	Prüfdruck
Aluminium	16bar/232psi	24bar/348psi
Edelstahl	25bar/363psi	37,4bar/544psi

max. Durchfluss Rate — 2.000l/min (Wasser mit ca. 20°C)

Connection Sizes

2½", 3" in BSP, NPT and flanged end connection.

Typical Applications

Road and refuelling of tankers, railcar, marine transfer vessels, intermediate bulk containers and processing plants.

Typical Media

Petroleum: Gasoline, Diesel, Oil.

Chemical: Butadiene, Ammonia, Ethylene Oxide, Propylene Oxide, Acrylonitrile, Toluene, Xylene, Vinyl Chloride, Phenol.

Liquefied gases.

Other: contact the IGATEC team.

Typical Industries

Petrochemical and pharmaceutical.

Seals

Standards seals are available in FPM (Viton®), EPDM, Chemraz®, Kalrez®, NBR (Nitrile), Iso-last®. For other seal materials contact the IGATEC team.

Selectivity

Risk of contamination caused by incorrect hose to tanker connection is removed with the QS Selectivity feature. Specified at time of order.

Compatibility

Industry standard connectivity: compatible with all industry standard products such as TO-DO, Avery Hardoll and Mann-Tek.

Material

Aluminium, Stainless Steel.

For other materials contact the IGATEC team.

Schlauchkupplung: Innengewinde – 3" DN80 Ø119 mm

Größen und Gewichte: Kupplung mit Innengewinde

Nennweiten		Gewicht			
Imperial	Metrisch	Aluminium		Edelstahl	
		lbs	kg	lbs	kg
F 3" NPT	DN80	10,36	4,7	21,38	9,7
F 3" BSP	DN80	10,36	4,7	21,38	9,7



Spezifikationen: Kupplung mit Innengewinde

Material	Aluminium, Edelstahl
O-Ring	Standard FPM/FKM (Viton)

Dichtung / O-Ring / Gewinde: andere auf Anfrage

2½"	025			
3"	030			
DLH		ZVV		BAZ
Edelstahl	S	BSPP	M	
Aluminium	A	BSPT	P	
		PN15	R	
		NPT	U	

Schlauchkupplung: Flansch – 3" DN80 Ø119 mm

Größen und Gewichte: Kupplung mit Flansch

Nennweiten		Druck- stufe	Gewicht			
Imperial	Metrisch		Aluminium		Edelstahl	
			lbs	kg	lbs	kg
3"	DN80	PN10/16	13,01	5,9	29,32	13,3
3"	DN80	PN25/40	—	—	29,1	13,2
3"	DN80	ANSI 150	13,45	6,1	30,42	13,8
3"	DN80	ANSI 300	—	—	34,83	15,8

Spezifikationen: Kupplung mit Flansch

Flansch	ANSI, DIN
Material	Aluminium, Edelstahl
O-Ring	Standard FPM/FKM (Viton)

O-Ring / Gewinde: andere auf Anfrage

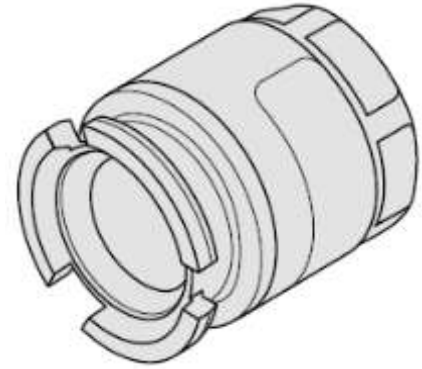
2½"	025			
3"	030			
DLH		ZVV		BAZ
Edelstahl	S	ANSI 150	A1	
Aluminium	A	ANSI 300	B1	
		PN10	G1	
		PN16	H1	
		PN25	J1	
		PN40	K1	

2" DN50 Ø70 mm

Tank Adapter: Innengewinde – 3" DN80

Größen und Gewichte: Tank Adapter mit Innengewinde

Nennweiten		Gewicht			
Imperial	Metrisch	Aluminium		Edelstahl	
		lbs	kg	lbs	kg
F 3" NPT	DN80				
F 3" BSP	DN80				



Spezifikationen: Tank Adapter mit Innengewinde

Material	Aluminium, Edelstahl
O-Ring	Standard FPM/FKM (Viton)

Dichtung / O-Ring : andere auf Anfrage

2½"	025		
3"	030		
DLT		ZV	
Edelstahl	S	BSPP	M
Aluminium	A	BSPT	P
		PN16	R
		NPT	U

Tank Adapter: Flansch – 3" DN80 Ø119 mm

Größen und Gewichte: Kupplung mit Flansch

Nennweiten		Druck- stufe	Gewicht			
Imperial	Metrisch		Aluminium		Edelstahl	
			lbs	kg	lbs	kg
2½"	DN65	PN10/16	7,28	3,3	17,2	7,8
2½"	DN65	PN25/40	—	—	16,98	7,7
3"	DN80	PN10/16	5,51	2,5	15,65	7,1
3"	DN80	PN25/40	—	—	15,65	7,1
3"	DN80	ANSI 150	5,95	2,7	16,76	7,6
3"	DN80	ANSI 300	—	—	21,16	9,6

Spezifikationen: Tank Adapter mit Flansch

Flansch	ANSI, DIN
Material	Aluminium, Edelstahl
O-Ring	Standard FPM/FKM (Viton)

Flansch / O-Ring : andere auf Anfrage

2½"	025		
3"	030		
DLH		ZVV	
Edelstahl	S	ANSI 150	A1
Aluminium	A	ANSI 300	B1
		PN10	G1
		PN16	H1
		PN25	J1
		PN40	K1

4" DN100 Ø164 mm

Schlauchkupplung / Tank Adapter – 4" DN100 Ø164 mm

Nennweitenbereich inkl. Adapter

4"

DN100



Arbeitsdruck

Material	Druckbereich	Prüfdruck
Aluminium	16bar/232psi	24bar/348psi
Edelstahl	25bar/363psi	37,4bar/544psi

max. Durchfluss Rate — 3.500l/min (Wasser mit ca. 20°C)

Connection Sizes

4" in BSP, NPT and flanged end connection.

Typical Applications

Road and refuelling of tankers, railcar, marine transfer vessels, intermediate bulk containers and processing plants.

Typical Media

Petroleum: Gasoline, Diesel, Oil.

Chemical: Butadiene, Ammonia, Ethylene Oxide, Propylene Oxide, Acrylonitrile, Toluene, Xylene, Vinyl Chloride, Phenol.

Liquefied gases.

Other: contact the IGATEC team.

Typical Industries

Petrochemical and pharmaceutical.

Seals

Standards seals are available in FPM (Viton®), EPDM, Chemraz®, Kalrez®, NBR (Nitrile), Iso-last®. For other seal materials contact the IGATEC team.

Selectivity

Risk of contamination caused by incorrect hose to tanker connection is removed with the QS Selectivity feature. Specified at time of order.

Compatibility

Industry standard connectivity: compatible with all industry standard products such as TO-DO, Avery Hardoll and Mann-Tek.

Material

Aluminium, Stainless Steel.

For other materials contact the IGATEC team.

Schlauchkupplung: Innengewinde – 4" DN100 Ø164 mm

Größen und Gewichte: Kupplung mit Innengewinde

Nennweiten		Gewicht			
Imperial	Metrisch	Aluminium		Edelstahl	
		lbs	kg	lbs	kg
F 4" NPT	DN100	19,4	8,8	37,48	17
F 4" BSP	DN100	19,18	8,7	37,26	16,9



Spezifikationen: Kupplung mit Innengewinde

Material	Aluminium, Edelstahl
O-Ring	Standard FPM/FKM (Viton)

Dichtung / O-Ring / Gewinde: andere auf Anfrage

DLH	040	ZVV	BAZ	
Edelstahl	S	BSPP	M	iG
Aluminium	A	BSPP	N	aG
		BSPT	P	iG
		BSPT	R	aG
		NPT	U	iG
		NPT	V	aG

Schlauchkupplung: Flansch – 4" DN100 Ø164 mm

Größen und Gewichte: Kupplung mit Flansch

Nennweiten		Druck- stufe	Gewicht			
Imperial	Metrisch		Aluminium		Edelstahl	
			lbs	kg	lbs	kg
4"	DN100	PN10/16	24,25	11	46,3	21
4"	DN100	PN25/40	25,35	11,5	51,81	23,5
4"	DN100	ANSI 150	—	—	48,5	22
4"	DN100	ANSI 300	—	—	57,32	26

Spezifikationen: Kupplung mit Flansch

Flansch	ANSI, DIN
Material	Aluminium, Edelstahl
O-Ring	Standard FPM/FKM (Viton)

O-Ring / Gewinde: andere auf Anfrage

DLH	040	ZVV	BAZ	
Edelstahl	S	ANSI 150	A1	
Aluminium	A	ANSI 300	B1	
		PN10	G1	
		PN16	H1	
		PN25	J1	
		PN40	K1	

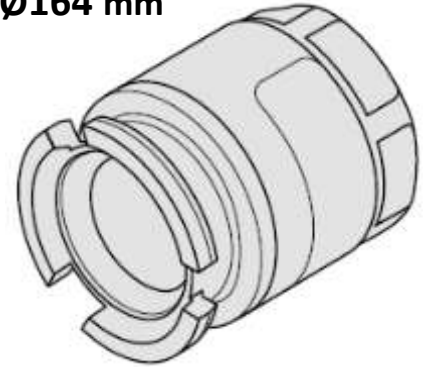
4" DN100 Ø164 mm

Tank Adapter: Innengewinde

4" DN100 Ø164 mm

Größen und Gewichte: Tank Adapter mit Innengewinde

Nennweiten		Gewicht			
Imperial	Metrisch	Aluminium		Edelstahl	
		lbs	kg	lbs	kg
F 4" NPT	DN100	5,73	2,6	14,99	6,8
F 4" BSP	DN100	5,51	2,5	14,77	6,7



Spezifikationen: Tank Adapter mit Innengewinde

Material	Aluminium, Edelstahl
O-Ring	Standard FPM/FKM (Viton)

Dichtung / O-Ring : andere auf Anfrage

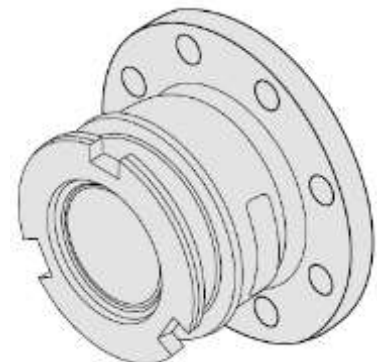
DLT	040	ZV		
Edelstahl	S	BSPP	M	iG
Aluminium	A	BSPP	N	aG
		BSPT	P	iG
		BSPT	R	aG
		NPT	U	iG
		NPT	V	aG

Tank Adapter: Flansch

4" DN100 Ø164 mm

Größen und Gewichte: Tank Adapter mit Flansch

Nennweiten		Druck- stufe	Gewicht			
Imperial	Metrisch		Aluminium		Edelstahl	
			lbs	kg	lbs	kg
4"	DN100	PN10/16	9,04	4,1	23,59	10,7
4"	DN100	PN25/40	—	—	29,1	13,2
4"	DN100	ANSI150	9,92	4,5	25,79	11,7
4"	DN100	ANSI300	—	—	34,17	15,5



Spezifikationen: Tank Adapter mit Flansch

Flansch	ANSI, DIN
Material	Aluminium, Edelstahl
O-Ring	Standard FPM/FKM (Viton)

Flansch / O-Ring : andere auf Anfrage

DLT	040	ZV		
Edelstahl	S	ANSI 150	B1	
Aluminium	A	ANSI 300	B2	
		PN10	G1	
		PN16	H1	
		PN25	J1	
		PN40	K1	

6" DN150 Ø238 mm

Schlauchkupplung / Tank Adapter – 6" DN150 Ø238 mm

Nennweitenbereich inkl. Adapter

6"

DN150



Arbeitsdruck

Material	Druckbereich	Prüfdruck
Aluminium	16bar/232psi	24bar/348psi
Edelstahl	25bar/363psi	37,4bar/544psi

max. Durchfluss Rate — 4.000l/min (Wasser mit ca. 20°C)

Connection Sizes

6" in BSP, NPT and flanged end connection.

Typical Applications

Road and refuelling of tankers, railcar, marine transfer vessels, intermediate bulk containers and processing plants.

Typical Media

Petroleum: Gasoline, Diesel, Oil.

Chemical: Butadiene, Ammonia, Ethylene Oxide, Propylene Oxide, Acrylonitrile, Toluene, Xylene, Vinyl Chloride, Phenol.

Liquefied gases.

Other: contact the IGATEC team.

Typical Industries

Petrochemical and pharmaceutical.

Seals

Standards seals are available in FPM (Viton®), EPDM, Chemraz®, Kalrez®, NBR (Nitrile), Iso-last®. For other seal materials contact the IGATEC team.

Selectivity

Risk of contamination caused by incorrect hose to tanker connection is removed with the QS Selectivity feature. Specified at time of order.

Compatibility

Industry standard connectivity: compatible with all industry standard products such as TO-DO, Avery Hardoll and Mann-Tek.

Material

Aluminium, Stainless Steel.

For other materials contact the IGATEC team.

Schlauchkupplung: Innengewinde – 6" DN150 Ø238 mm

Größen und Gewichte: Kupplung mit Innengewinde

Nennweiten		Gewicht			
Imperial	Metrisch	Aluminium		Edelstahl	
		lbs	kg	lbs	kg
F 6" NPT	DN150	66,14	30	123,46	56
F 6" BSP	DN150	63,93	29	121,25	55



Spezifikationen: Kupplung mit Innengewinde

Material	Aluminium, Edelstahl
O-Ring	Standard FPM/FKM (Viton)

Dichtung / O-Ring / Gewinde: andere auf Anfrage

DLH	060	ZVV	BAZ	
Edelstahl	S	BSPP	M	iG
Aluminium	A	BSPP	N	aG
		BSPT	P	iG
		BSPT	R	aG
		NPT	U	iG
		NPT	V	aG

Schlauchkupplung: Flansch – 6" DN150 Ø238 mm

Größen und Gewichte: Kupplung mit Flansch

Nennweiten		Druck- stufe	Gewicht			
Imperial	Metrisch		Aluminium		Edelstahl	
			lbs	kg	lbs	kg
6"	DN150	PN10/16	70,55	32	138,89	63
6"	DN150	ANSI 150	70,55	32	138,89	63

Spezifikationen: Kupplung mit Flansch

Flansch	ANSI, DIN
Material	Aluminium, Edelstahl
O-Ring	Standard FPM/FKM (Viton)

O-Ring / Gewinde: andere auf Anfrage

DLH	060	ZVV	BAZ	
Edelstahl	S	ANSI 150	A1	
Aluminium	A	PN10	G1	

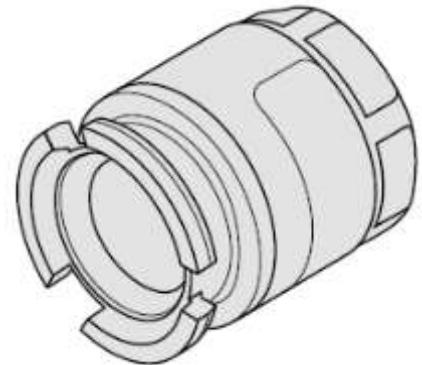
6" DN150 Ø238 mm

Tank Adapter: Innengewinde –

6" DN150 Ø238 mm

Größen und Gewichte: Tank Adapter mit Innengewinde

Nennweiten		Gewicht			
Imperial	Metrisch	Aluminium		Edelstahl	
		lbs	kg	lbs	kg
F 6" NPT	DN150	24,25	11	48,5	22
F 6" BSP	DN150	23,15	10,5	46,3	21



Spezifikationen: Tank Adapter mit Innengewinde

Material	Aluminium, Edelstahl
O-Ring	Standard FPM/FKM (Viton)

Dichtung / O-Ring : andere auf Anfrage

Flachdichtung : Tankadapter Innengewinde

Imperial	Metrisch	Aluminium	Edelstahl	Messing
F 6" BSP	DN150	PUR Vulkollan	PTFE Teflon	PTFE Teflon

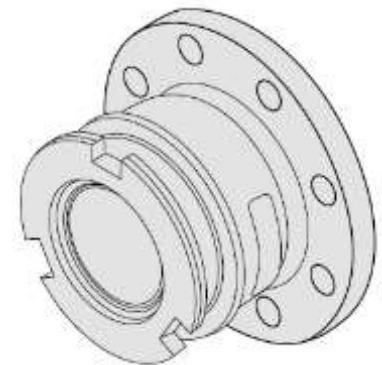
DLT	060	ZV	
Edelstahl	S	BSPP	M iG
Aluminium	A	BSPP	N aG
		BSPT	P iG
		BSPT	R aG
		NPT	U iG
		NPT	V aG

Tank Adapter: Flansch –

6" DN150 Ø238 mm

Größen und Gewichte: Tank Adapter mit Flansch

Nennweiten		Druck- stufe	Gewicht			
Imperial	Metrisch		Aluminium		Edelstahl	
			lbs	kg	lbs	kg
6"	DN150	PN10/16	28,66	13	61,73	28
6"	DN150	ANSI 150	28,66	13	61,73	28



Spezifikationen: Tank Adapter mit Flansch

Flansch	ANSI, DIN
Material	Aluminium, Edelstahl
O-Ring	Standard FPM/FKM (Viton)

Flansch / O-Ring : andere auf Anfrage

DLT	060	ZV	
Edelstahl	S	ANSI 150	B1
Aluminium	A	PN10	G1
		PN16	H1

Staubkappe Schlauchkupplung

Schützen Sie die Schlauchkupplung und ihr Ventil gegen das Eindringen von Schmutz, Wasser und anderen Verunreinigungen mit unserem Angebot an Staubschutzkappen.

Material: Verfügbar in Verbundmaterial (GFK), Aluminium, Edelstahl und Gummi

Material	Dichtung
1" DN20 bis DN25 Ø56 mm	
Verbundmaterial	Standard FPM (Viton®)
Aluminium	Standard FPM (Viton®)
Edelstahl	Standard FPM (Viton®)
2" DN40 bis DN50 Ø70 mm	
Verbundmaterial	NBR (Nitrile®)
Aluminium	Standard FPM (Viton®)
Edelstahl	Standard FPM (Viton®)
Gummi	N/A
3" DN80 Ø119 mm	
Verbundmaterial	NBR (Nitrile®)
Aluminium	Standard FPM (Viton®)
Edelstahl	Standard FPM (Viton®)
Gummi	N/A
4" DN100 Ø164 mm	
Verbundmaterial	NBR (Nitrile®)
Aluminium	Standard FPM (Viton®)
Edelstahl	Standard FPM (Viton®)
Gummi	N/A
6" DN150 Ø238 mm	
Verbundmaterial	Standard FPM (Viton®)
Aluminium	Standard FPM (Viton®)
Edelstahl	Standard FPM (Viton®)



Material	Größe	Staubschutzkappe: Tank Adapter
Gummi	2"	DH 020 REC 001
Edelstahl	2"	DH 020 SEC 001
Gummi	2½"	DH 025 REC 001
Gummi	3"	DH 030 REC 001
Edelstahl	3"	DH 030 SEC 001
Gummi	4"	DH 040 REC 001
Edelstahl	4"	DH 040 SEC 001
Gummi	6"	DH 060 REC 001
Verbundmaterial	6"	DH 060 MEC 001

Schützen Sie den Tank Adapter und sein Ventil gegen das Eindringen von Schmutz, Wasser und anderen Verunreinigungen mit unserem Angebot an Staubschutzkappen.

Material: Verfügbar in Verbundmaterial (GFK), Aluminium, Edelstahl und

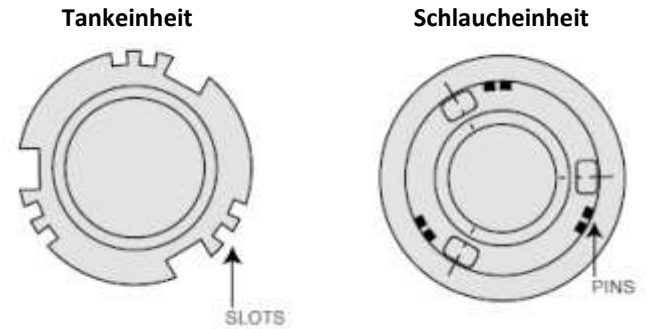
Material	Dichtung
1" DN20 bis DN25 Ø56 mm	
Verbundmaterial	Standard FPM (Viton®)
Aluminium	Standard FPM (Viton®)
Edelstahl	Standard FPM (Viton®)
2" DN40 bis DN50 Ø70 mm	
Verbundmaterial	NBR (Nitrile®)
Aluminium	Standard FPM (Viton®)
Edelstahl	Standard FPM (Viton®)
Gummi	N/A
3" DN80 Ø119 mm	
Verbundmaterial	NBR (Nitrile®)
Aluminium	Standard FPM (Viton®)
Edelstahl	Standard FPM (Viton®)
Gummi	N/A
4" DN100 Ø164 mm	
Verbundmaterial	NBR (Nitrile®)
Aluminium	Standard FPM (Viton®)
Edelstahl	Standard FPM (Viton®)
Gummi	N/A
6" DN150 Ø238 mm	
Verbundmaterial	Standard FPM (Viton®)
Aluminium	Standard FPM (Viton®)
Edelstahl	Standard FPM (Viton®)



Material	Größe	Staubschutzkappe: Tank Adapter
Gummi	2"	DT 020 REC 001
Edelstahl	2"	DT 020 SEC 001
Gummi	2½"	DT 025 REC 001
Gummi	3"	DT 030 REC 001
Edelstahl	3"	DT 030 SEC 001
Gummi	4"	DT 040 REC 001
Edelstahl	4"	DT 040 SEC 001
Gummi	6"	DT 060 REC 001
Verbundmaterial	6"	DT 060 MEC 001

Übersicht

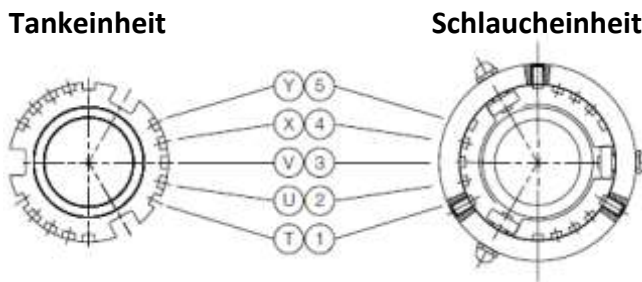
Um das versehentliche Vermischen von Produkten/Medien zu vermeiden bieten wir die Möglichkeit an Schlauchkupplung und Tank Adapter mit Formcodierung auszurüsten. Hierbei ist die Tankeinheit mit „SLOTS“ und die Schlaucheinheit mit „PINS“ ausgerüstet. Für jede Kupplungsgröße ist eine bestimmte Anzahl an Codierungspositionen möglich.



Wartung

Es ist wichtig die Bedienungsanleitung, die mit der Einheit mitgeliefert wird, zu lesen und zu verstehen. Für weitere Details und/oder Kopien wenden Sie sich bitte an das IGATEC Team.

1" DN25 Ø 56mm



Selektivität / Formcodierung:

Kompatibel mit TODO, Avery Hardoll und Mann-Tek.

Jede Einheit wird mit zwei Formcodierungssystemen angeboten. Mit 5 Optionen von T bis Y oder mit 10 Optionen von 12 bis 45 (siehe Tabelle rechts).

NATO STANAG 3756

Produkt / Medium	Position
Acrylnitril	X (4)
Ethylenoxid	U (2)
Propylenoxid	V (3)

Formcodierungspositionen für Acrylnitril, Ethylenoxid und Propylenoxid in **Nennweite 1"**.

Mit 5 Optionen

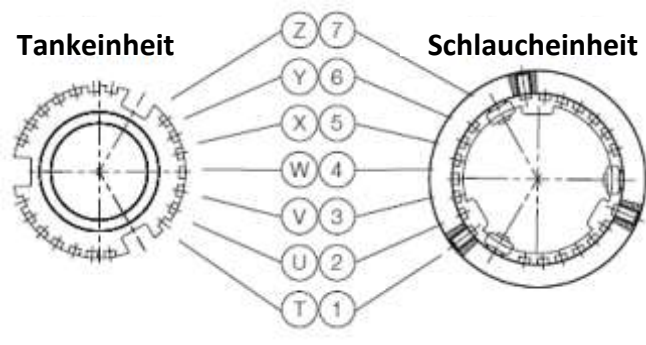
T	U	V	X	Y
---	---	---	---	---

Mit 10 Optionen

12	13	14	15	23
23	25	34	35	45

Selektivität / Formcodierung 2" / 3"

2" DN50 Ø 70mm



Selektivität / Formcodierung:

Kompatibel mit TODO, Avery Hardoll und Mann-Tek. (7 Pos.) NATO STANAG 3756 (21 Pos. Mit Ziffern).

Jede Einheit wird mit zwei Formcodierungssystemen angeboten. Mit 7 Optionen von T bis Z oder mit 21 Optionen von TU(12) bis YZ(67) (siehe Tabelle rechts).

Produkt / Medium	Position
Acrylnitril	X (5)
Ethylenoxid	U (3)
Propylenoxid	V (4)

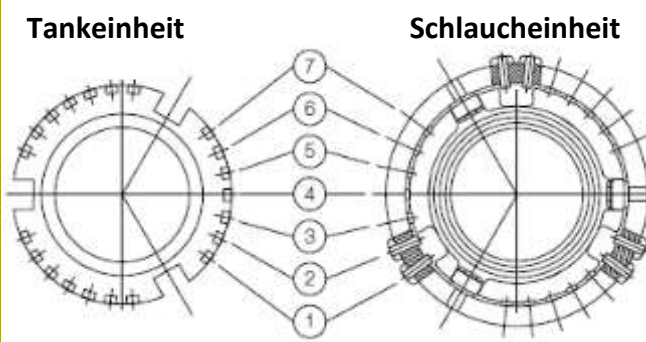
Formcodierungspositionen für Acrylnitril, Ethylenoxid und Propylenoxid in **Nennweite 2"**.

T	U	V	W	X	Y	Z
---	---	---	---	---	---	---

Pin und Slot Positionen

12	13	14	15	16	17	23	24	25	26	27
TU	TV	TW	TX	TY	TZ	UV	UW	UX	UY	UZ
VW	VX	VY	VZ	WX	WY	WZ	XY	XZ	YZ	
34	35	36	37	45	46	47	56	57	67	

3" DN80 Ø 119mm



Selektivität / Formcodierung:

Kompatibel mit TODO, Avery Hardoll und Mann-Tek.

Jede Einheit wird mit Formcodierungssystem angeboten. Mit 21 Optionen von A(12) bis W(67) (siehe Tabelle rechts).

NATO STANAG 3756

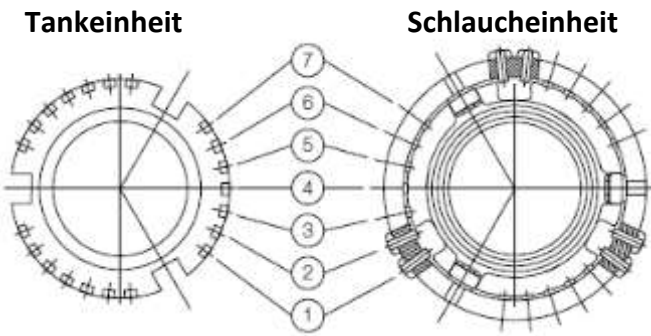
Produkt / Medium	Position
Acrylnitril	P (36)
Ethylenoxid	M (34)
Propylenoxid	N (35)

Formcodierungspositionen für Acrylnitril, Ethylenoxid und Propylenoxid in **Nennweite 3"**.

Pin und Slot Positionen

A	B	C	D	E	F	G	H	I	K	L
12	13	14	15	16	17	23	24	25	26	27
34	35	36	37	45	46	47	56	57	67	
M	N	P	Q	R	S	T	U	V	W	

4" DN100 Ø 164mm



Selektivität / Formcodierung:

Kompatibel mit TODO, Avery Hardoll und Mann-Tek.

Jede Einheit wird mit 21 Alternativen der Formcodierung angeboten werden von 12 bis 67 (siehe Tabelle rechts).

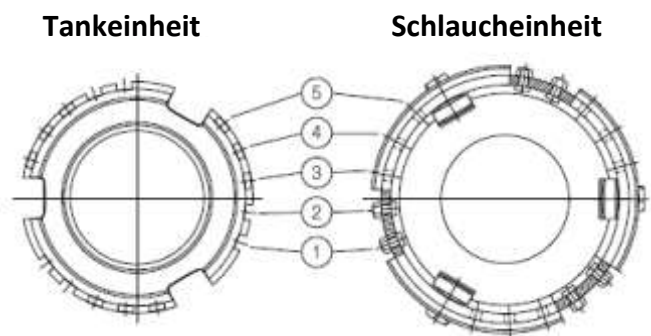
Produkt / Medium	Position
Acrylnitril	36
Ethylenoxid	34
Propylenoxid	35

Formcodierungspositionen für Acrylnitril, Ethylenoxid und Propylenoxid in **Nennweite 2"**.

Pin und Slot Positionen

12	13	14	15	16	17	23	24	25	26	27
34	35	36	37	45	46	47	56	57	67	

6" DN150 Ø 238mm



Selektivität / Formcodierung:

Kompatibel mit TODO, Avery Hardoll und Mann-Tek.

Jede Einheit wird mit 10 Alternativen der Formcodierung angeboten werden von 12 bis 45 (siehe Tabelle rechts).

Mit 10 Optionen

12	13	14	15	23
23	25	34	35	45

IGATEC Produktportfolio

- **Rohrdrehgelenke**
- **Drehdurchführungen**
- **Sicherheitstrennkupplungen**
- **Gelenkscheren**
- **Klapptreppen und Verladebühnen**
- **Tanklagersysteme**
 - Schwimmabsaugungen
 - Schwimmdachentwässerungen
 - Skimmer
- **Verladesysteme**
- **Trockenkupplungen**

Vorteile von IGATEC Transfersystemen

IGATEC entwickelt und liefert ein breites Spektrum an Transfersystemen für Flüssigkeiten und Gase um Sicherheit und Effizienz bei der Übertragung von Fluiden zu verbessern.

Die erlaubt Ihnen das Risiko für Anlagen, Personal, Umwelt und Reputation zu minimieren und schützt Sie sowohl vor nicht geplanten Anlagenstillstand, Reinigungskosten, Rechtsstreit, Verletzungen, als auch steigenden Versicherungs- und Investitionskosten verursacht durch höheres Risiko.

IGATEC bietet Erfahrung und Referenzen bezüglich Innovationen und zuverlässigen Lösungen.

Trademarks

Bestätigung von Trademarks benutzt in dieser Broschüre.

Viton® (FPM) und Kalrez® sind registrierte trademarks von DuPont Performance Elastomers.

Chemraz® ist registrierte trademark von Green-Tweed.

Isolast® registrierte trademark von Trelleborg.

Wichtig

Spezifikation:

IGATEC empfiehlt, dass Sie sich alle Informationen und Daten von unserer technischen Abteilung bestätigen lassen bevor Sie sie für Ihre Bestellung spezifizieren.

Benutzung:

Bitte beziehen Sie sich auf die Inhalte der Bedienungs- und Wartungsanleitung, die mit dem Produkt mitgeliefert wird.

Darüber hinausgehende Empfehlungen gibt Ihnen gerne unsere technische Abteilung.